

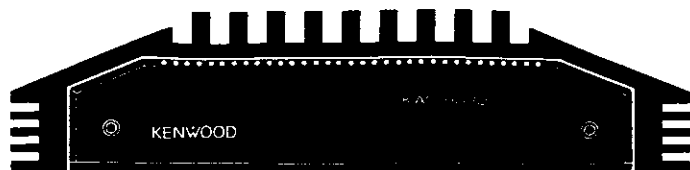
Stereo power amplifier

KENWOOD

KAC-9020

FILE CUSTOMER RELATIONS

Instruction manual



*NOT
BRIDGEABLE*

Specifications

Specifications subject to change without notice

Main amp section

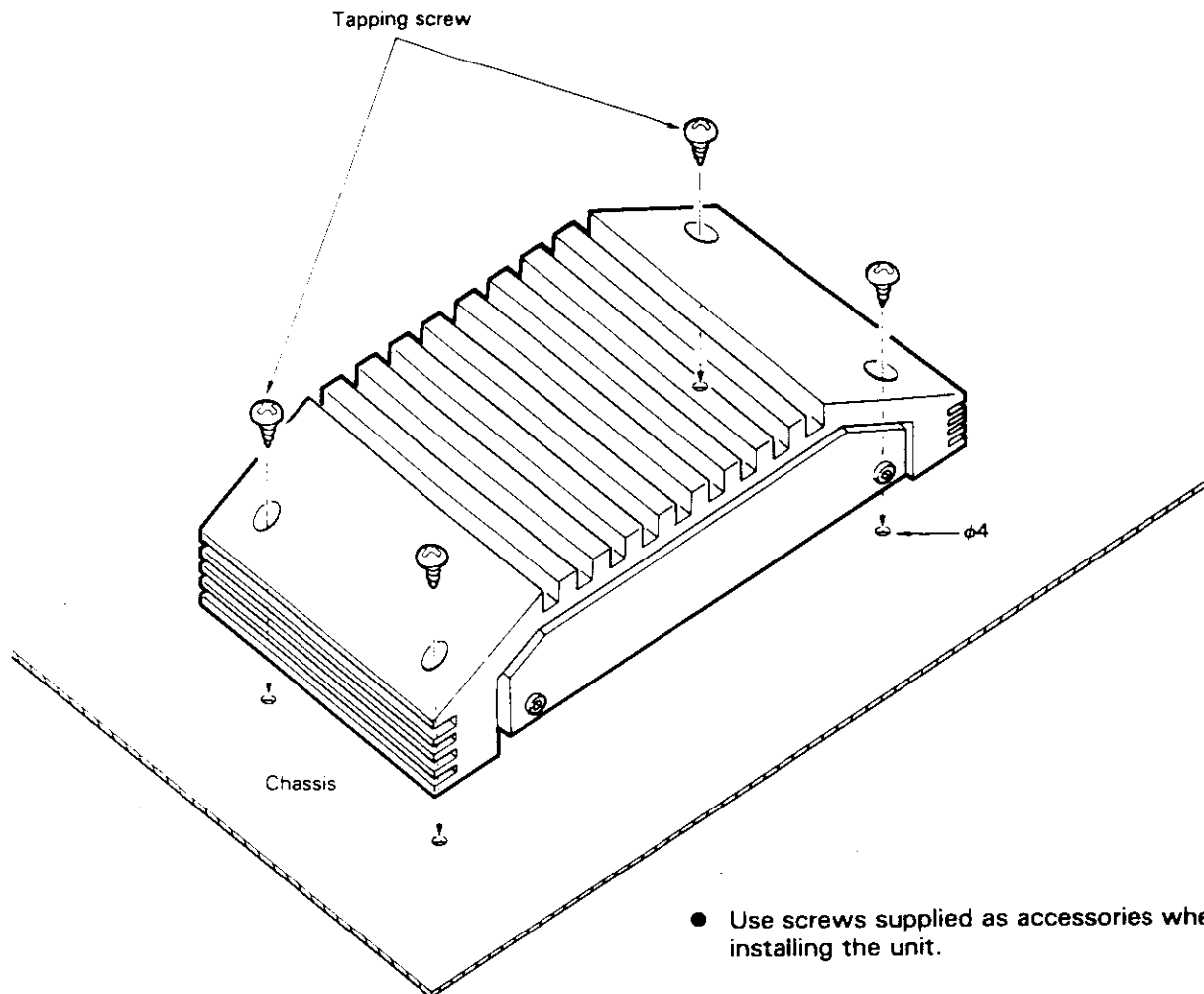
Max. output (1 kHz, 4 Ω) 160 W + 160 W
Max. rated output
(10% THD, 1 kHz, 4 Ω) 140 W + 140 W
Rated output
(1% THD, 20 Hz - 30 kHz, 4 Ω) ... 100 W + 100 W
Frequency response (-3 dB) 2 Hz - 100 kHz
Min. distortion (10 W, 1 kHz, 4 Ω) 0.004%
Input sensitivity (at rated output) Max. 0.1 V
Min. 2 V
Signal-to-noise ratio (IHF-A) 100 dB

General

Operating voltage 14.4 V (11 V - 16 V)
Current consumption 30 A
Dimensions (W x H x D) 290 x 220 x 70 mm
Weight 4.1 kg

Installation

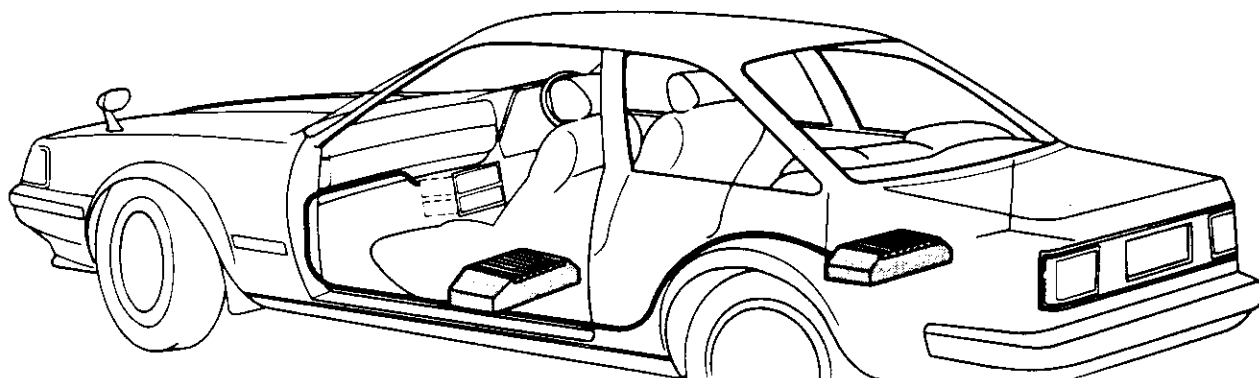
When installing to the car, install the unit securely for safety driving.



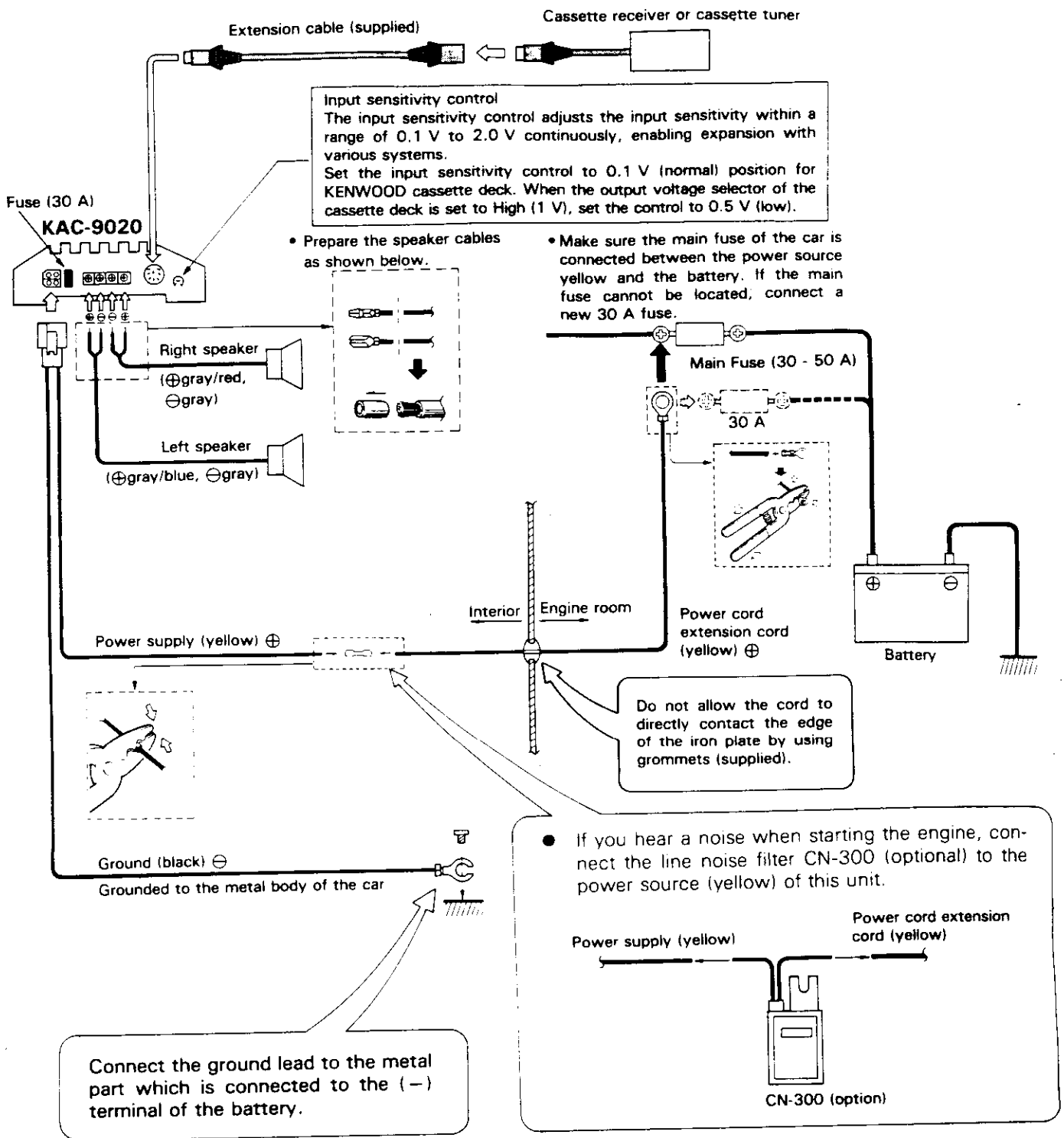
- Since the main amplifier has no parts which require operation, it can be installed at a position away from the driver's seat without any hinderances. But due to its considerable weight, it needs to be installed securely.
- Use the extension cables. CA-18F (1 m), CA-28F (2 m), and CA-48F (4 m) (optional) when the connected models are to be installed away from the main amplifier.

- Use screws supplied as accessories when installing the unit.

- As generally accepted positions for its installation, places such as under the front seat or inside the trunk, etc. can be considered.
- When the KAC-9020 is operated at a high temperature for an extended period of time, the safety circuit may operate and the sound cannot be heard. It is not a malfunction and leave the unit for a while until it is reset. If this occurs frequently, change the location of the unit.



Connection



Precautions

Since the electrical consumption of this unit is large, obtaining power source from wirings such as those of built-in cigarette lighters will overload the wiring of the car.

Be sure to connect the yellow power lead directly to the battery as shown in the figure above.

- Before starting to install the set, make sure to remove the negative (-) terminal of the battery in order to prevent shortcircuiting.
- When installation and wiring are completed, connect the negative (-) terminal of the battery after confirming that there are no errors.
- When a fuse is blown out, check for any shortcircuiting of cords, and then replace it with a fuse having the specified capacity.
- The maximum output power of this unit is 160 W + 160 W. Therefore, the power handling capacity of the speakers connected to this unit

KENWOOD

PRINTED IN JAPAN B50-5841-00 (K) (T)

789101112/88

Care and maintenance

Take the time to read through this instruction manual. Familiarity with installation and operation procedures will help you obtain the best performance from your new power amplifier.

For your records

Record the serial number found on the bottom of the unit in the spaces designated on the warranty card and in the space provided below. Refer to the model and serial numbers whenever you call upon your KENWOOD dealer for information or service on this product.

Model KAC-9020 Serial number _____

- The power source of this unit is exclusively DC 12 V, negative ground. If you wish to mount the unit on a vehicle with DC 24 V, please consult your appointed KENWOOD dealer.
- Do not place the amplifier in a place where the amplifier may be exposed to direct sunlight, heat or moisture. Be careful that metal objects and water do not enter the set.
- If you have difficulty in installing the set in your car, please contact your KENWOOD dealer.

Cleaning

Clean with a dry silicone cloth or a soft cloth. The use of thinner, alcohol or other solvents may damage the surface finish.